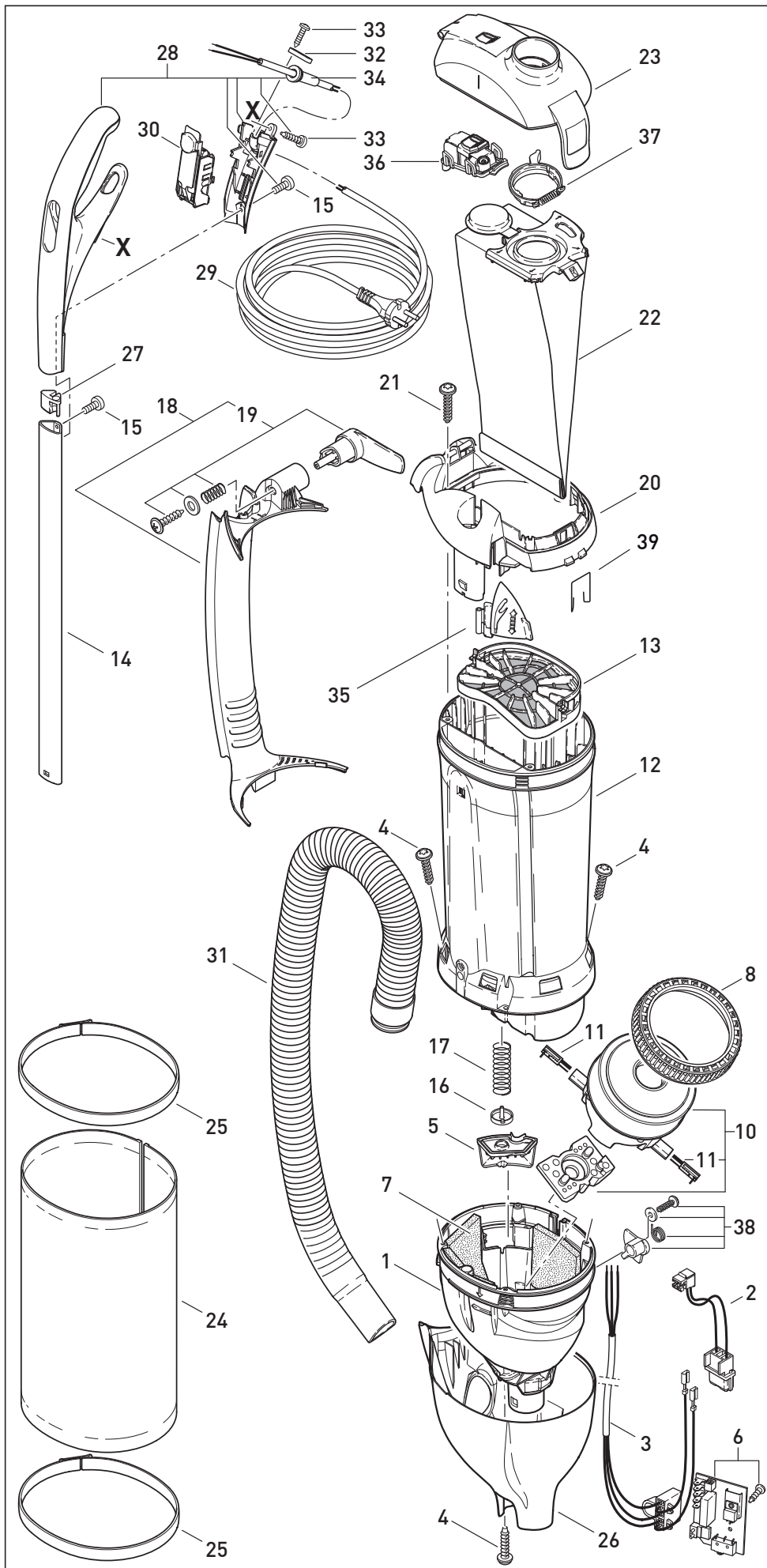


This information intended only for Europe
(230 V / 240 V)
and does not apply to North America !



MADE IN GERMANY

SEBO FELIX 1 PREMIUM PLATINUM

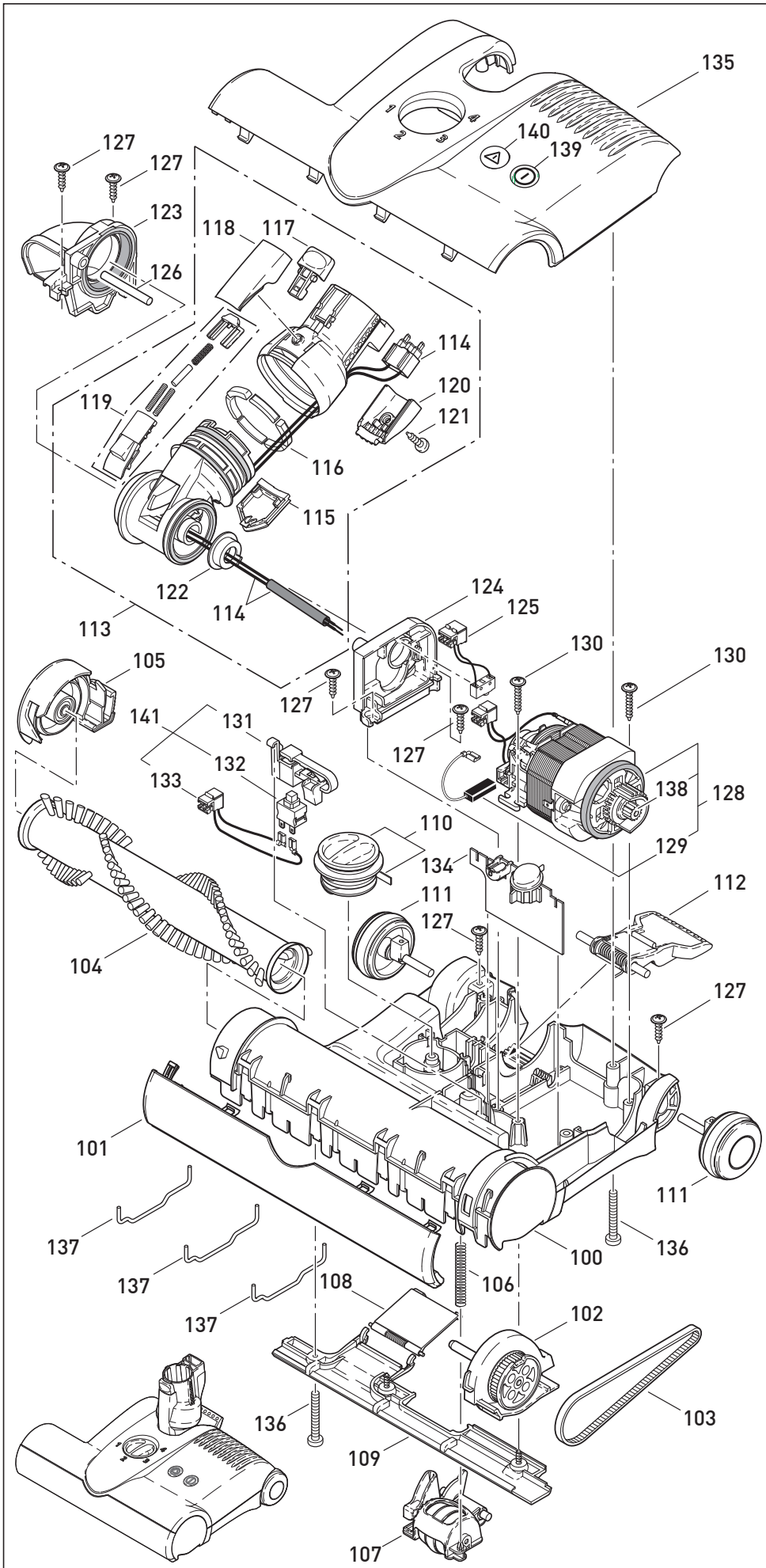


Pos.	Product-Code	Description
1	7078 DG	Air duct
2	7064	Internal wiring ET
3	7071	Internal wiring HSH, cpl.
4	01016 ER	Screw STS 4x16-T20
5	7056 dg	Valve cover
6	7107 ER	Printed circuit board 230-240V
7	7098	Sound insulation
8	1047	VAC motor seal
10	7043 ER	VAC motor 230-240V
11	05143 S	Pair of carbon brushes
12	7143 ER	Dust bag housing
13	7012	Motor filter
14	7081 ER	Handle tube
15	0127 ER	Screw M 4x10K
16	7025	Valve disc
17	7028	Valve spring
18	7090 sw	Hose duct
19	7027 SW	Cable hook
20	7093 sw	Cover, Dust bag housing
21	01017 ER	Screw STS 4x20-T20
22	7029 ER	SEBO-Filterbox Felix
23	7091 sw	Filter cover
24	7095 ER04	Elekret Exhaust filter
25	7017 sb	Exhaust filter clamp
26	7173 SE	Lower housing
27	7145 dg	Tube plug
28	7164 SW	Handle grip, cpl.
29	7128 dg	Cable with contour plug
30	7038 SW	Switch assembly cpl.
31	7050 sb	Hose, cpl.
32	1030 UL	Cable clamp
33	0103 ER	Screw C 3,9x16 DIN 7981
34	1035 dg	Cable grommet
35	7082 SW	Release button
36	7094 ER	Filterindicator, cpl.
37	7018 OR	Retaining ring cpl.
38	7032 ER	Switch lever, kpl.
39	7024	Spring

This information intended only for Europe
(230 V / 240 V)
and does not apply to North America !



SEBO FELIX 1 PREMIUM PLATINUM



Pos.	Product-Code	Description
100	2324 dg	Chassis ET1
101	2302 dg	Bumper, cpl.
102	2314 dg	Bearing block, left cpl.
103	2923	Belt 333 3M HTDII-6
104	5010 ER	Brush roller, cpl.
105	2313 dg	Bearing block, right cpl.
106	2929	Spring
107	2316 dg	Pile adjustment assembly compl.
108	2909 VO	Access door ET
109	2304 dg	Rear bottom plate cpl.
110	2931 SB	Pile adjustment button
111	2306 DG	Wheel, cpl.
112	2937 OR	Foot pedal
113	2307 dg	Swivel neck assembly compl.
114	0876 ER	Wiring swivel neck
115	2947 DG	Cover
116	2950 ER	Segments, TS-neck
117	1737 DG	Release button
118	2952 dg	Button cover
119	2945 DG	Swivel neck slide
120	2951 DG	Socket cover, TS-neck
121	01027 ER	Screw F 3,9x9,5 DIN 7981
122	2954	Swivel neck bearing
123	2311	Swivel neck support, right
124	2312	Swivel neck support, left
125	0880	Wiring swivel neck switch
126	2928	Axle
127	01021 ER	Screw F 3,9x13 DIN 968
128	2975 ER	Brush motor 230/240 V, 175W
129	05141 S	Pair of carbon brushes
130	01020 ER	Screw F 3,9x21 DIN 968
131	2958 ER	Lever
132	05114	Switch 2-polig
133	0881	Wire
134	2985 ER	Printed circuit board ET1-175W
135	2360 swSE	Power head cover ET1
136	0176 ER	Screw AM 4x30 DIN 7985
137	5402	Wire tie
138	2319	Motor pulley
139	2957	Lens switch
140	2956	Lens right
141	2959ER	Switch cpl.